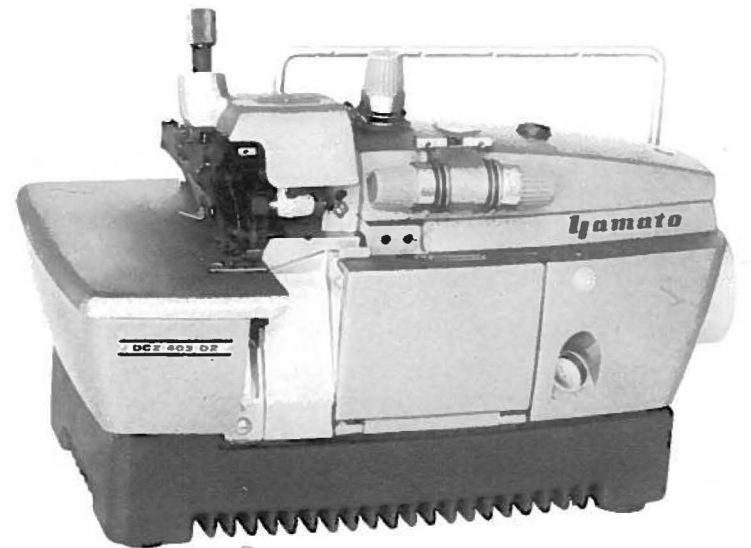


yamato

**INDUSTRIAL
SEWING MACHINE**

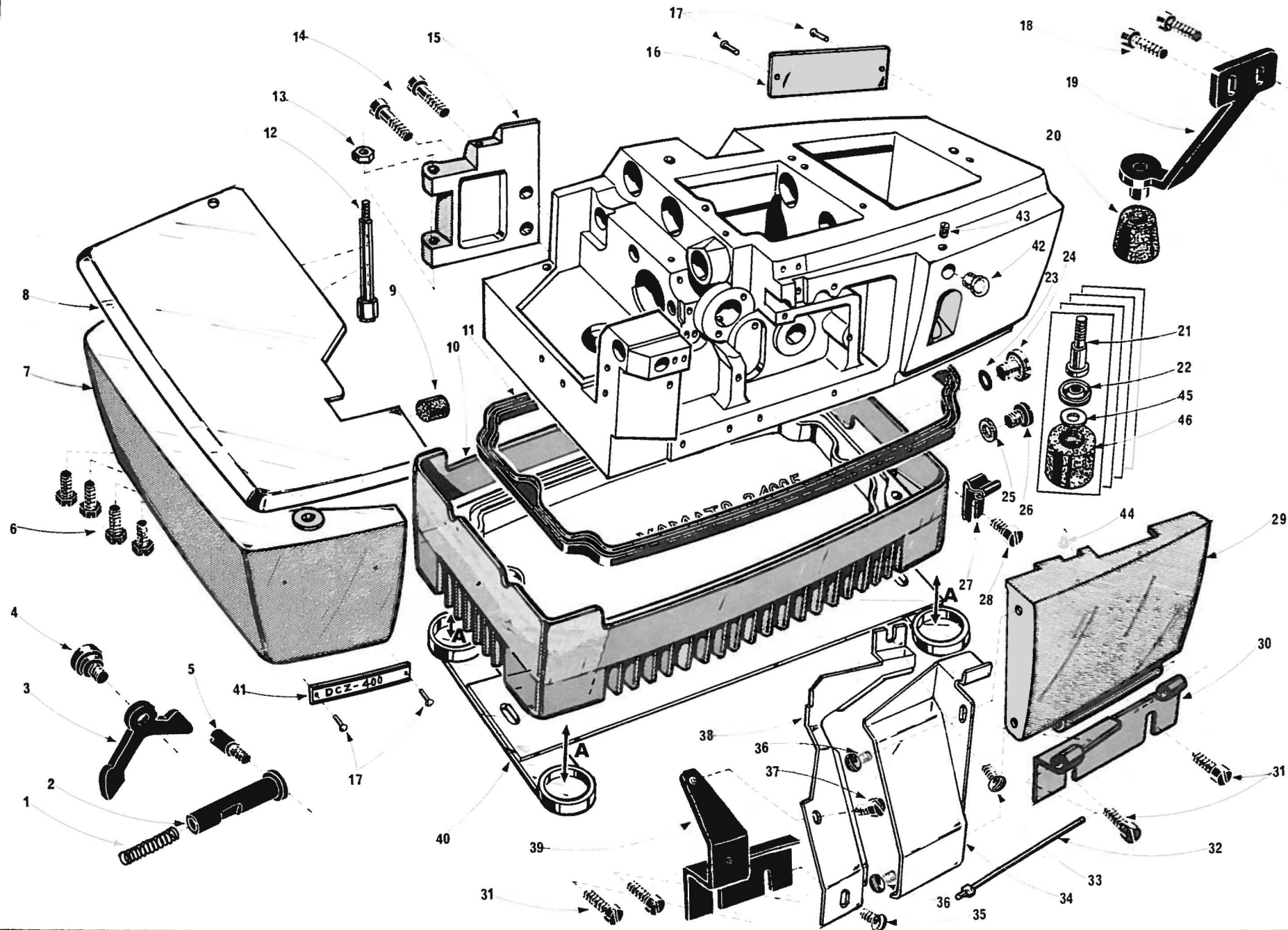
CLASSES DCZ-400
401
403
404
420
420W
421

**ILLUSTRATED
SPARE PARTS LIST
FOR
HIGH SPEED
OVERLOCK MACHINES**

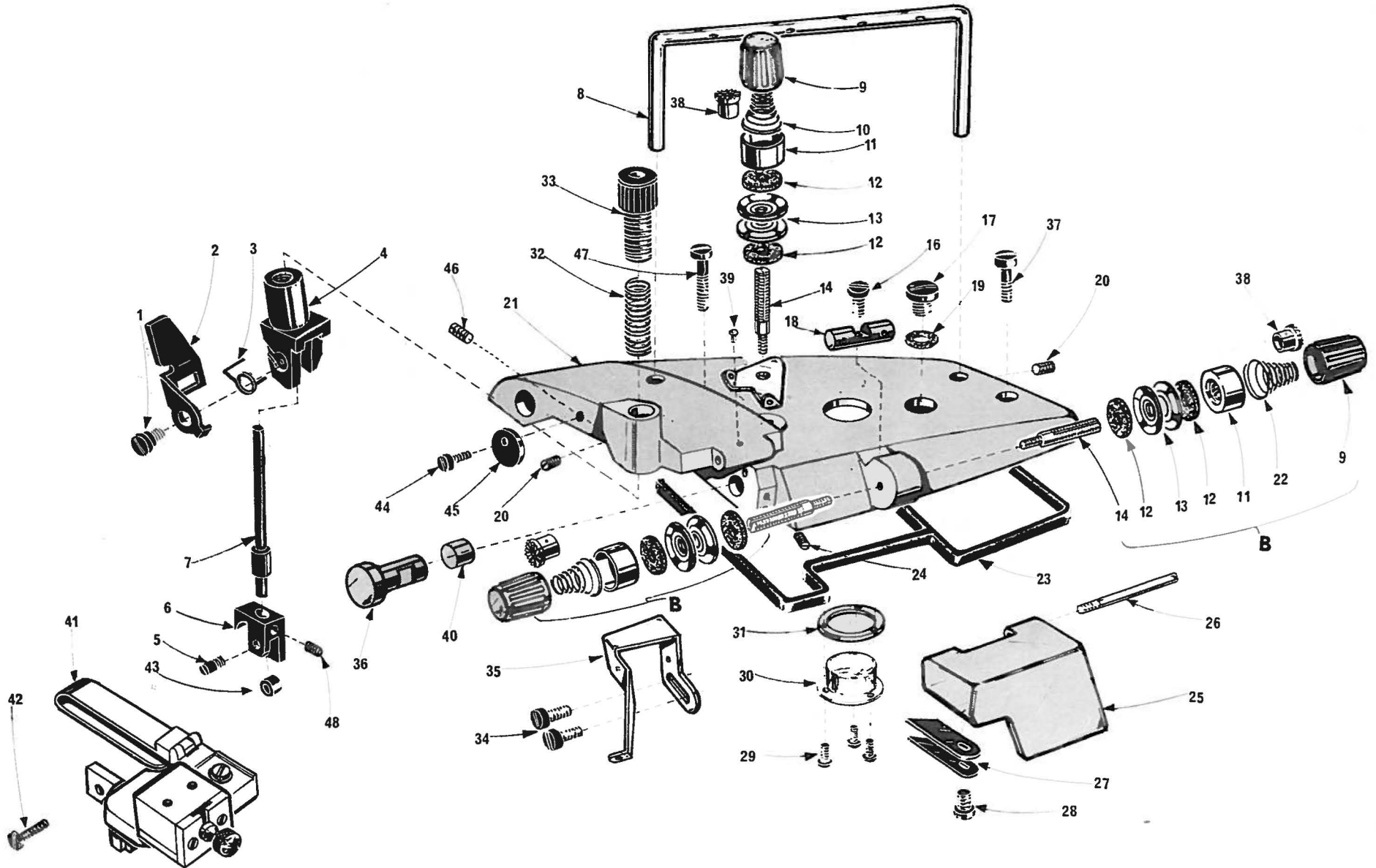


KONDO SEWING MACHINE CO., LTD.

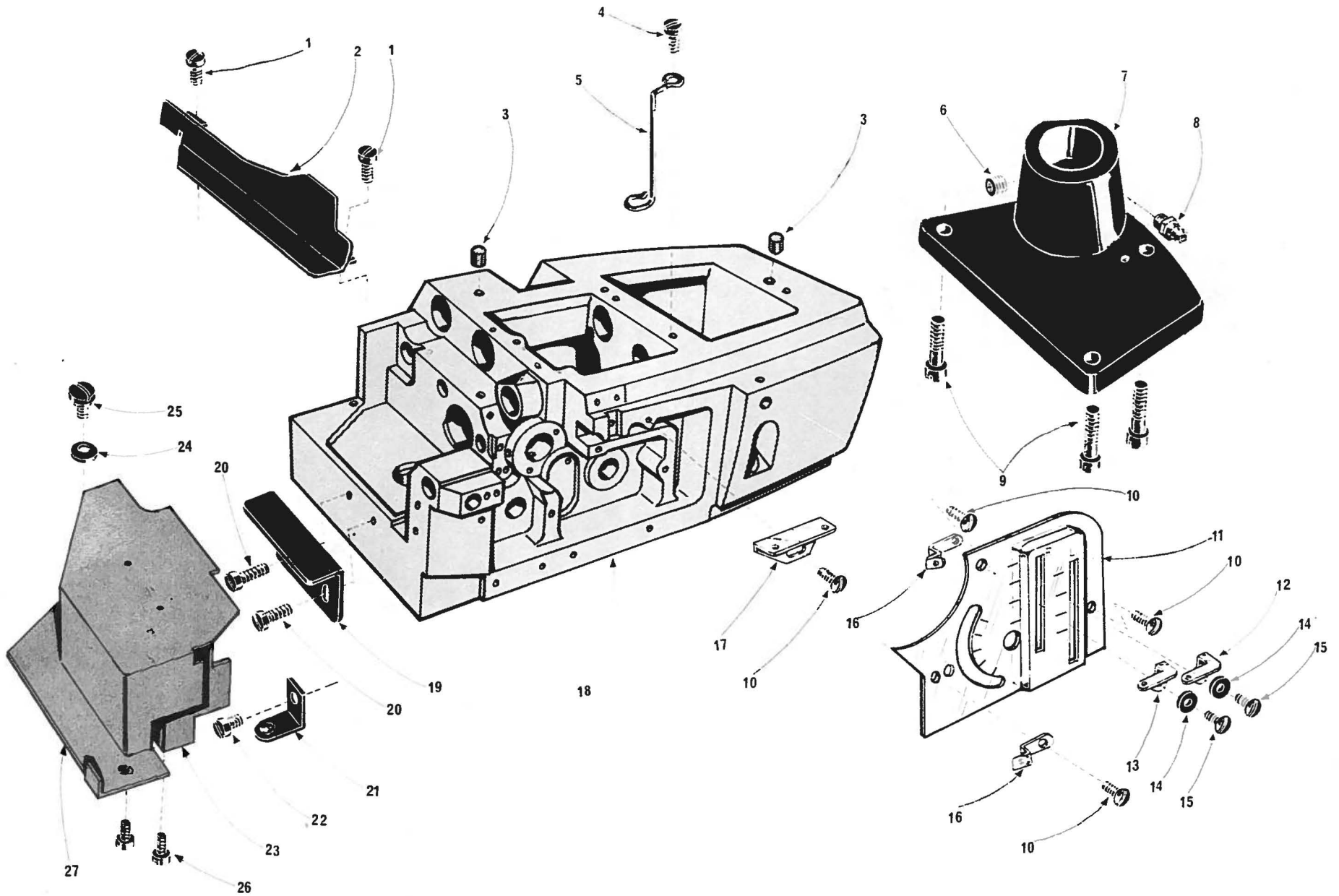
From the library of: Superior Sewing Machine & Supply LLC



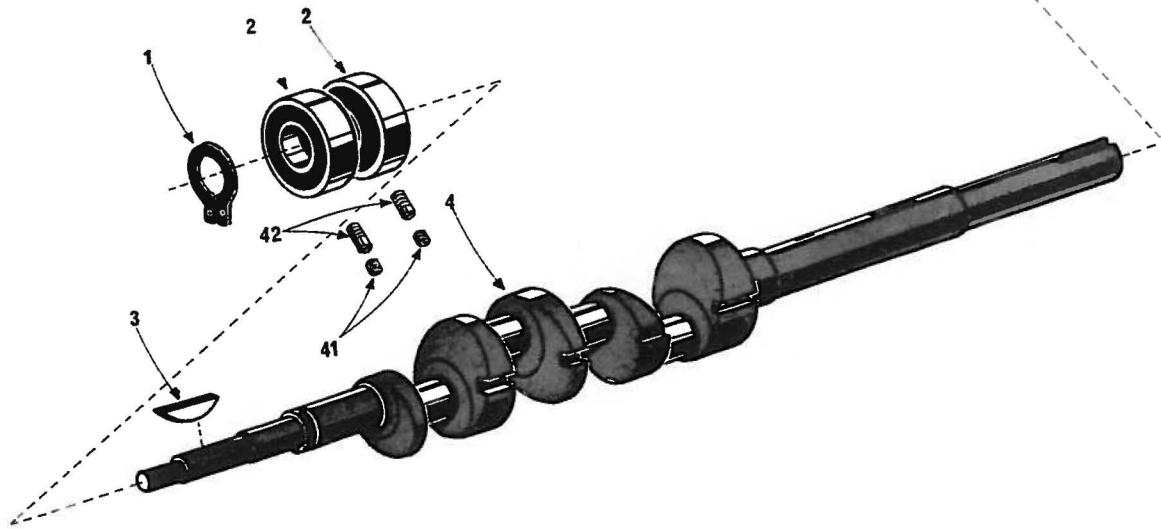
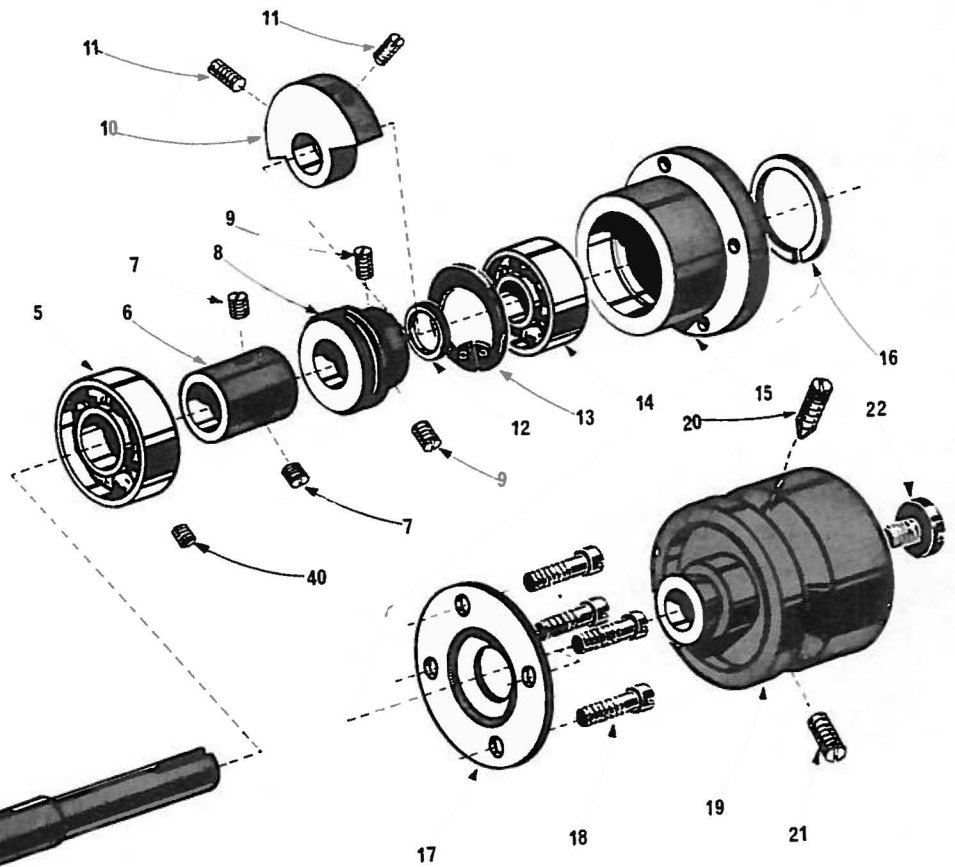
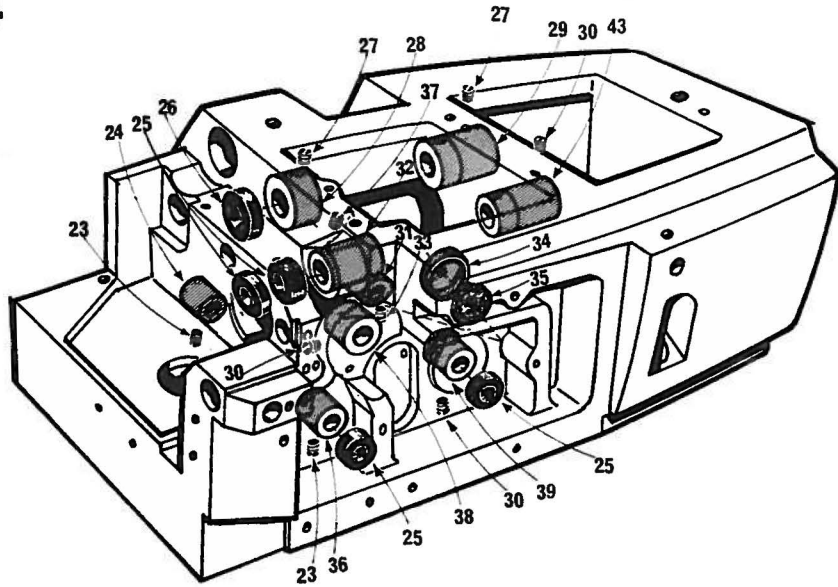
Ref. No.	Parts No.	Description	A m t. Req.	Ref. No.	Parts No.	Description	Am t. Req.
1	34018	Cloth Plate Latch Spring	1	28	4358	Screw for 32609	1
2	34012	Cloth Plate Latch Plunger	1	29	34007	Front Cover	1
3	30126	Cloth Plate Latch	1	30	34008	Front Cover Hinge	1
4	6040	Screw for 30126	1	31	4440	Screws for 34008, 34011	4
5	5095	Stopper for 30126	1	32	32608	Front Cover Hinge Pin	1
6	7605	Screws for 34297	4	33	1326	Screw for 32610	1
7	34003	Cloth Plate (Lower)	1	34	32611	Chip Guard (Open)	1
8	34297	Cloth Plate (Upper)	1	35	1330	Screw for 32610	1
9	32604	Cloth Plate Rubber Cushion	1	36	5131	Screws for 32611	2
10	34005	Base	1	37	1222	Screw for 32610	1
11	34013	Base Gasket	1	38	32610	Chip Guard (Fix)	1
12	32586	Cloth Plate Hinge Pin	1	39	34011	Chip Guard Supporter	1
13	44	Nut for 32586	1	40	34021	Rubber Cushion Holder Plate	1
14	5089	Screws for 34298	2	41	—	Model Indicate Plate	1
15	34298	Cloth Plate Hinge	1	42	32612	Front Seal Plug	1
16	977	Name Plate	1	43	3434	Screw for 32612	1
17	726	Rivets for Name Plate	4	44	727	Front Cover Latch	1
18	9150	Screws for 32977	2	45	563	Washers for	4
19	32977	Frame Stay	1	46	32377	Base Rubber Cushion	4
20	32976	Frame Stay Rubber Cushion	1				
21	6262	Seals for 34005	4				
22	32375	Base Oil Seal	4				
23	32421	Drain Hole Seal for Inner	1				
24	5076	Drain Hole Screw for Inner	1				
25	316	Drain Hole Seal for Outer	1				
26	9852	Drain Hole Screw for Outer	1				
27	32609	Front Cover Latch Spring	1				



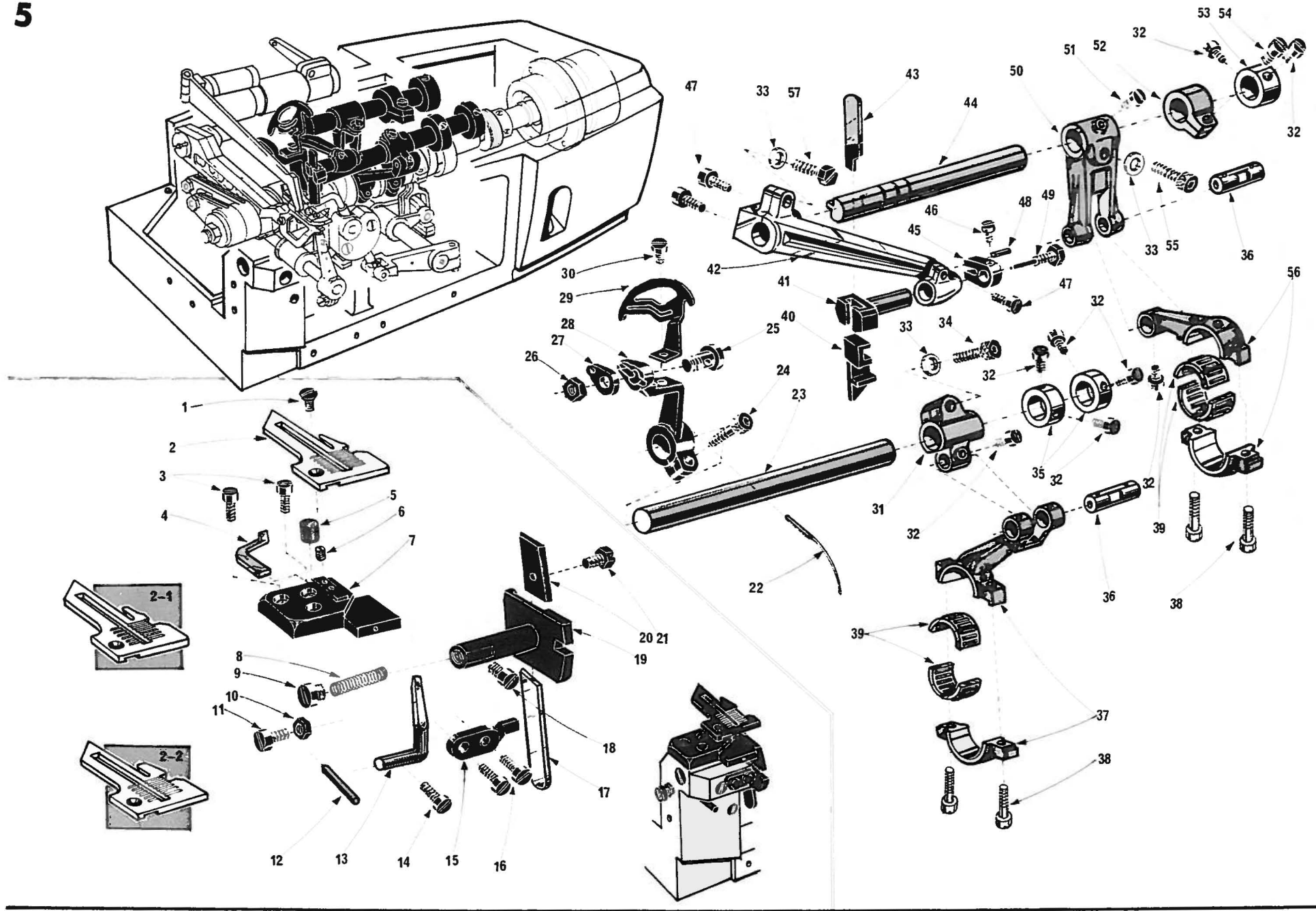
2 Ref. No.	Parts No.	Description	Amt. Req.	Ref. No.	Parts No.	Description	Amt. Req.
1	6404	Screw for 34289	1	28	4358	Screws for 34015	1
2	34289	Presser Foot Release Lever	1	29	1333	Screws for 32930	3
3	34295	Presser Foot Release Lever Spring	1	30	32930	Oil Sight Top Window	1
4	34280	Presser Foot Spring Holder	1	31	32924	Oil Sight Top Window Seal	1
5	6405	Screw for 34294	1	32	34288	Presser Spring	1
6	34281	Presser Foot Posiotining Guide	1	33	6403	Adjust Screw for 34288	1
7	34296	Presser Foot Posiotining Pin	1	34	4356	Screws for 34222	2
8	34220	Thread Lead Bar	1	35	34222	Needle Thread Eyelet	1
9	32965	Thread Tension Spring Cap	3	36	33142	Upper Knife Driving Arm Guide	1
10	32971	Needle Thread Tension Spring	1	37	5003	Screw for 34040	1
11	37635	Thread Tension Spring Retainer	3	38	30254	Tension Spring Bushing	3
12	286	Felt for Tension Post	6	39	7726	Top Front Cover Latch	1
13	01111	Tension Disc	6	40	32519	Upper Knife Driving Arm Guide Plug	1
14	6542	Tension Post	3	41	37952	Hemming Guide Complete Set	1
15	32962	Needle Thread Tension Disc Eyelet	1	42	1175	Screw for 37952	1
16	1174	Screw for 34221	1	43	34294	Presser Foot Roller	1
17	5069	Oil Cap Screw	1	44	4353	Screw for 34286	1
18	34221	Looper Thread Tension Disc Eyelet (Upper)	1	45	34286	Presser Arm Stopper	1
19	525	Seal for 5069	1	46	9200	Screw for 34280	1
20	3433	Screws for 34220	2	47	5002	Screw for 34040	1
21	34040	Top Cover	1	48	1459	Screw for 34296	1
22	32952	Looper Thread Tension Spring	2				
23	34013	Top Cover Gasket	1				
24	9200	Screw for 33142	1				
25	34002	Top Front Cover	1				
26	34016	Top Front Cover Pin	1				
27	34015	Top Front Cover Latch Spring	2				



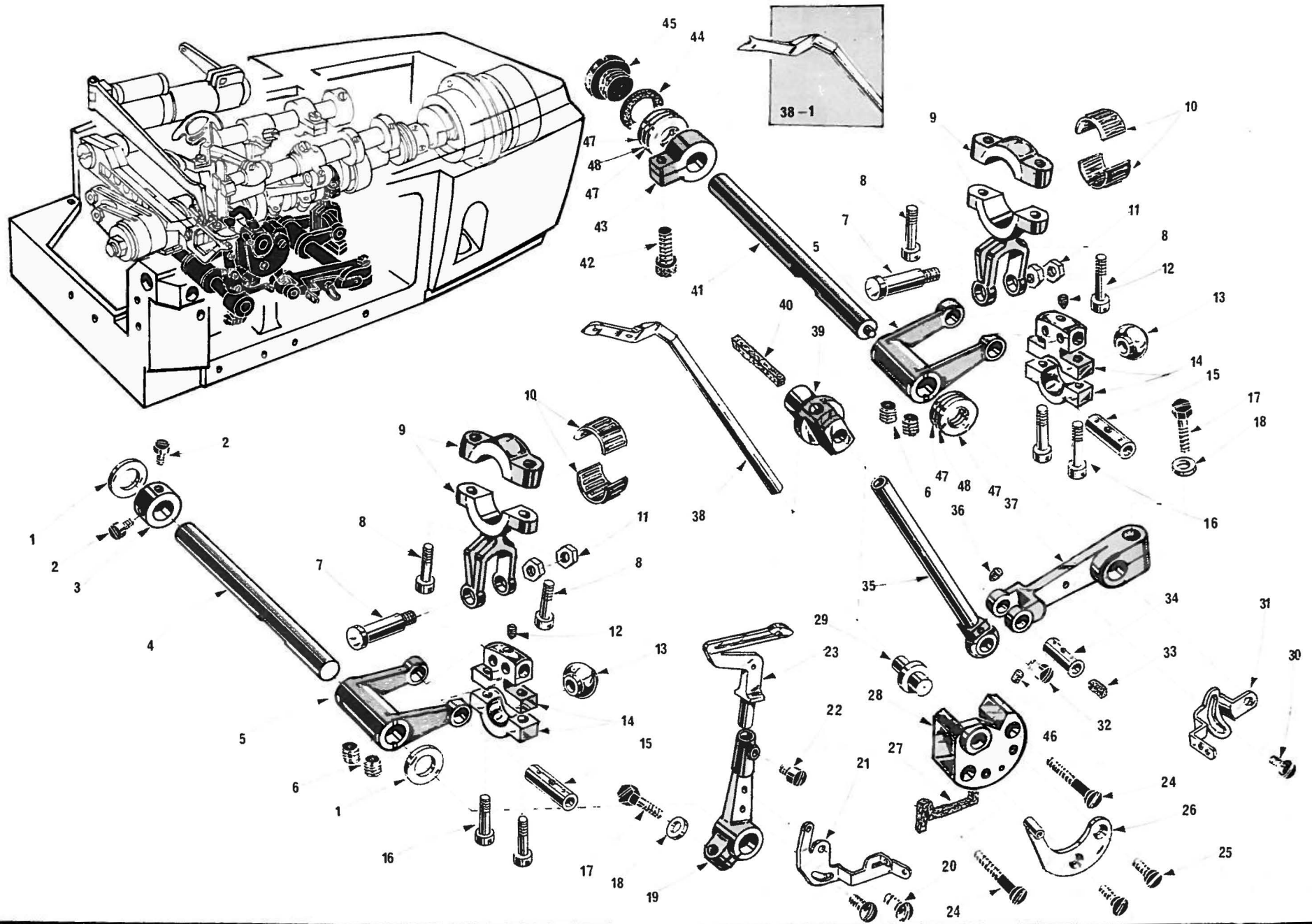
<u>Ref. No.</u>	<u>Part. No.</u>	<u>Description</u>	<u>Amt. Req.</u>
1	4353	Screws for 34299	2
2	34299	Fabric Guard	1
3	34026	Top Cover Positioner	2
4	9853	Screw for 34205	1
5	34205	Oil Tube Holder	1
6	3635	Screw for Oil Pump	1
7	34209	Oil Pump Holder	1
8	9909	Oil Tube Fitting Nut	1
9	9106	Screws for 34209	3
10	1326	Screws for 34229, 34225	4
11	34229	Looper Thread Eyelet Supporter	1
12	32955	Looper Thread Eyelet (Right)	1
13	32958	Looper Thread Eyelet (Left)	1
14	532	Washers for 32955, 32958	2
15	1330	Screws for 32955, 32958	2
16	32960	Lower Looper Thread Eyelet	2
17	34225	Looper Thread Tension Disc Eyelet(Lower)	1
18	34000	Frame	1
19	34019	Cloth Plate Guard	1
20	9150	Screws for 34019	2
21	32626	Feed Mechanism Cover Latch Spring	1
22	7609	Screw for 32626	1
23	34045	Feed Mechanism Oil Shield	1
24	10	Washer for Hinge Screw	1
25	6004	Hinge Screw for 34017	1
26	1228	Screws for 34045	2
27	34017	Feed Mechanism Cover	1



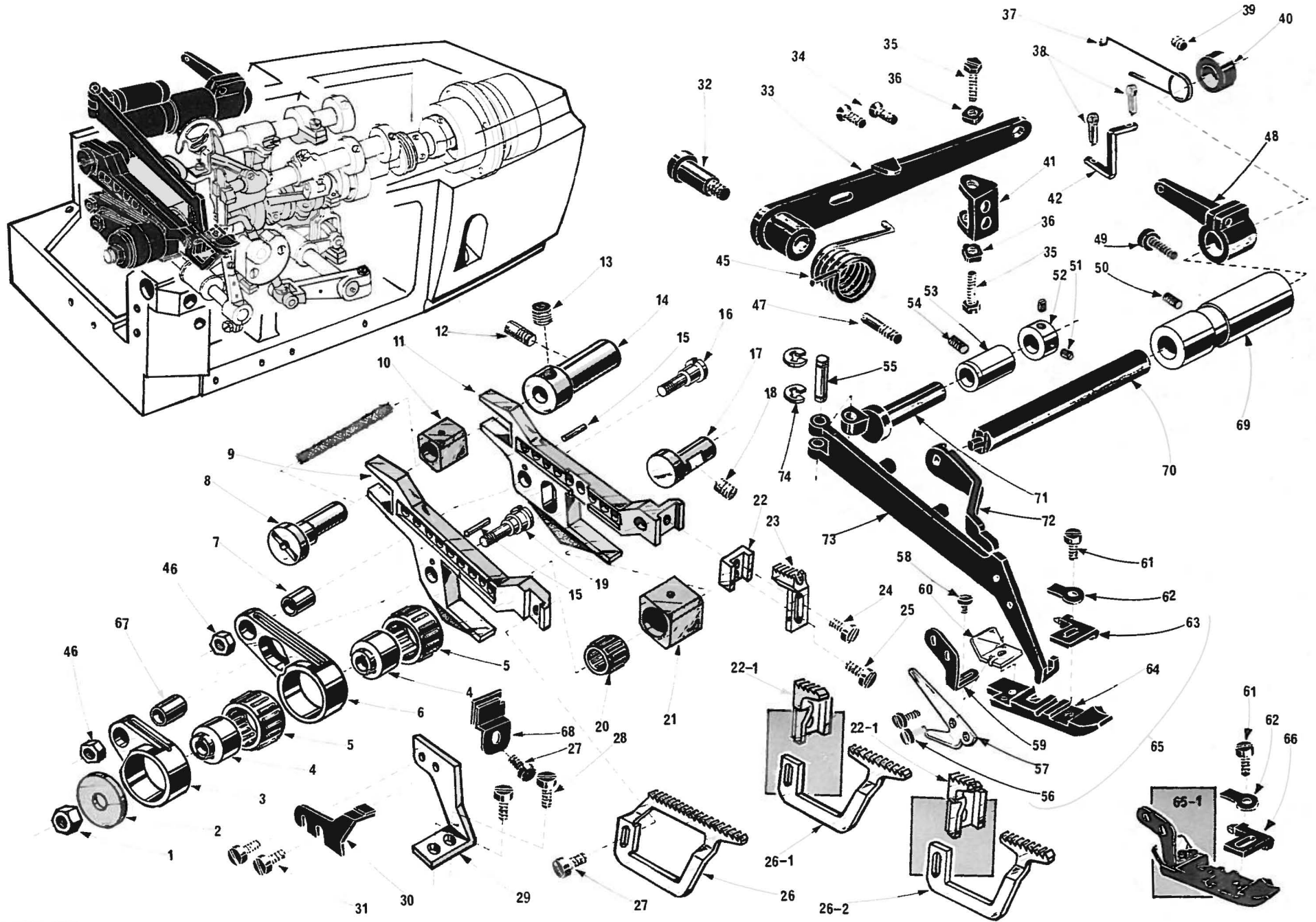
Ref. No.	Parts No.	Description	Amt. Req.	Ref. No.	Parts No.	Description	Amt. Req.
1	34117	Retaining Ring for 34092	1	28	34193	Upper Knife Driving Shaft Bushing (Left)	1
2	34092	Crankshaft Ball Bearing (Left)	2	29	34192	Upper Knife Driving Shaft Bushing (Right)	1
3	34096	Feed Driving Eccentric Key	1	30	7650	Screws for 34054, 34098, 34108	3
4	34090	Crankshaft	1	31	34116	Upper Looper Driving Shaft Bushing (Rear)	1
5	34091	Crankshaft Ball Bearing (Inner)	1	32	33070	Needle Driving Shaft Bushing (Left)	1
6	34115	Retaining Collar for 34091	1	33	9209	Screw for 34054	1
7	3433	Screws for 34115	2	34	34119	Upper Looper Bar Guide Bushing Cap	1
8	32925	Oil Pump Driving Worm	1	35	527	Oil Felt for 34119	1
9	7650	Screws for 32925	2	36	34114	Lower Looper Driving Shaft Bushing (Front)	1
10	33077	Crankshaft Counterweight	1	37	9209	Screw for 33070	1
11	1435	Screws for 33077	2	38	34108	Upper Looper Bar Guide Bushing	1
12	32779	Retaining Washer for 32777	1	39	34098	Upper Looper Driving Shaft Bushing (Front)	1
13	32778	Inner Retaining Ring for 32777	1	40	9209	Screw for 34091	1
14	32777	Crankshaft Ball Bearing (Right)	1	41	38221	Seal Plugs for 3405	2
15	32775	Crankshaft Ball Bearing Housing	1	42	9209	Screws for 34092	2
16	32818	Outer Retaining Ring for 32777	1	43	34054	Needle Driving Shaft Bushing (Right)	1
17	32817	Crankshaft Ball Bearing Housing Cap	1				
18	4441	Screws for 32817	4				
19	34094	Pulley	1				
20	9202	Main Screw for 34094	1				
21	5006	Sub Screw for 34094	1				
22	4402	Cap Screw for 34094	1				
23	9209	Screw for 34114, 34116	2				
24	34116	Lower Looper Driving Shaft Bushing (Rear)	1				
25	30291	Needle & Looper Shaft Oil Seal	4				
26	32684	Upper Knife Driving Shaft Oil Seal	1				
27	1457	Screws for 34192, 34193	2				



Ref. No.	Parts No.	Description	Amt. Req.	Ref. No.	Parts No.	Description	A R
1	5401	Screw for Throat Plate	1	39	32819	Connecting Rod Roller Bearing	
2	32666	Throat Plate # 1	1	40	32913	Upper Knife Clamp	
2-1	32667	Throat Plate # 2	1	41	32911	Upper Knife Holder	
2-2	32682	Throat Plate # 3	1	42	34194	Upper Knife Driving Arm	
3	6661	Screws for 34025	2	43	32914	Upper Knife	
4	34038	Needle Guard (Rear)	1	44	34191	Upper Knife Driving Shaft	
5	32604	Cloth Plate Rubber Cushion	1	45	32912	Upper Knife Holder Guide	
6	7650	Screw for 34058	1	46	7616	Screw for 32912	
7	34025	Throat Plate Supporter	1	47	8163	Screw for 32911	
8	32919	Lower knife Holder Spring	1	48	723	Guide Pin for 32912	
9	5074	Screw for 32919	1	49	5508	Screw for 32914	
10	340	Adjust Nut for 5043	1	50	32902	Upper Knife Driving Lever	
11	5043	Stopper Screw for Cloth Plate	1	51	9517	Sub Screw for 32902	
12	698	Cloth Plate Latch Pin	1	52	32920	Upper Knife Driving Shaft Collar Left	
13	34057	Needle Guard (Front)	1	53	32646	Upper Knife Driving Shaft Collar Right	
14	4437	Screw for 34057	1	54	7311	Screw for 32920	
15	32899	Lower Knife Holder Locking Plate	1	55	5521	Screw for 32902	
16	4440	Screws for 32899	2	56	34190	Upper Knife Driving Connecting Rod	
17	30421	Lower Knife	1	57	5522	Screw for 34194	
18	4591	Screw for 32916	1				
19	32916	Lower Knife Holder	1				
20	32917	Lower Knife Clamp	1				
21	7605	Screw for 32917	1				
22	—	Needle (Uy 154 GAS)	1				
23	34053	Needle Driving Shaft	1				
24	5550	Screw for 34055	1				
25	34056	Needle Clamp Stud	1				
26	355	Nut for 34056	1				
27	34060	Needle Clamp Washer	1				
28	34055	Needle Driving Arm	1				
29	34223	Needle Thread Pull-Off	1				
30	4358	Screw for 34223	1				
31	34052	Needle Driving Shaft Lever	1				
32	9604	Screws for 30228, 32646, 34051	8				
33	520	Washers for 32902, 32910, 34052	3				
34	5500	Screws for 32902, 32910, 34052	3				
35	30228	Needle Driving Shaft Collar	2				
36	34051	Needle Driving Connecting Rod Pin	1				
36	34051	Upper Knife Driving Connecting Rod Pin	1				
37	34050	Needle Driving Connecting Rod	1				
38	5070	Screws for 34050, 34190	4				



<u>Ref. No.</u>	<u>Parts No.</u>	<u>Description</u>	<u>Amt. Req.</u>	<u>Ref. No.</u>	<u>Parts No.</u>	<u>Description</u>	<u>Amt Req</u>
1	34118	Lower Looper Driving Shaft Thrust Washer	2	28	34107	Upper Looper Bar Guide Retainer	1
2	9604	Screws for 30228	2	29	34109	Upper Looper Bar Guide Thrust Pin	1
3	30228	Lower Looper Driving Shaft Collar	1	30	4358	Screw for 34230	1
4	34111	Lower Looper Driving Shaft	1	31	34230	Looper Thsead Pull-Off (Right)	1
5	34099	Looper Driving Lever	2	32	7302	Screw for 34113 (34120)	1
6	3635	Screws for 34099	4	33	282	Oil Wick for 32799	1
7	34103	Ball Clamp Stub	2	34	32799	Upper Looper Bar Driving Arm Pin	1
8	5070	Screws for 34101	4	35	34105	Upper Looper Bar	1
9	34101	Looper Driving Lever Connecting Rod	2	36	3311	Screw for 32799	1
10	32819	Connecting Rod Roller Bearing	2	37	34104	Upper Looper Bar Driving Arm	1
11	340	Nuts for 34103	4	38	34113	Upper Looper	1
12	3404	Screws for 32786	2	38-1	34120	Spreader for Two Thread Seaming	1
13	34102	Ball	2	39	34106	Upper Looper Bar Guide	1
14	34100	Looper Driving Lever Link	2	40	304	Oil Wick for 34106	1
15	32786	Looper Driving Lever Link Pin	2	41	34097	Upper Looper Driving Shaft	1
16	4431	Screws for 34100	4	42	5550	Screw for 32792	1
17	5500	Screws for 32789, 34104	2	43	32792	Upper Looper Driving Shaft Collar	1
18	520	Washers for 32789, 34104	2	44	606	Oil Seal for 6007	1
19	32789	Lower Looper Holder Arm	1	45	6007	Upper Looper Driving Shaft End Cap Screw	1
20	1326	Screws for 34228	2	46	7650	Screw for 34109	1
21	34228	Looper Thread Pull-Off (Left)	1	47	32848	Upper Looper Driving Shaft Thrust Washers	4
22	2237	Screw for 32790	1	48	32849	Upper Looper Driving Shaft Thrust Rollers	2
23	32790	Lower Looper	1				
24	5004	Screws for 34107	2				
25	9142	Screws for 34226	2				
26	34226	Upper Looper Thread Guide	1				
27	304	Oil Wick for 34105	1				



Ref. No.	Parts No.	Description	Amt. Req.	Ref. No.	Parts No.	Description	Amt. Req.
1	20	Nut for Feed Driving Eccentric	1	39	1459	Screw for 32719	1
2	605	Thrust Washer for 34141	1	40	32719	Foot Lifter Small Collar	1
3	34132	Differential Feed Bar Driving Connection	1	41	32716	Foot Lifter Lever Stopper	1
4	—	Feed Driving Eccentric (See Table 7-1)	2	42	32714	Foot Lifter Lever Connecting Link	2
5	34141	Feed Driving Eccentric Roller Bearing	2	43	5550	Screw for 32718	2
6	34133	Main Feed Bar Driving Connection	1	44	9200	Screw for 32720	1
7	32853	Main Feed Bar Driving Connection Bushing	1	45	32713	Foot Lifter Lever Spring	1
8	32866	Main Feed Dog (Large Teeth)	1	46	451	Nuts for 32864, 34138	1
9	34130	Differential Feed Bar	1	47	690	Foot Lifter Hinge Pin Nut	1
10	32867	Feed Bar Guide Block	1	48	34283	Intermediate Lever (Large)	1
11	34131	Main Feed Bar	1	49	5550	Screw for 34283	1
12	3632	Screw for 34134	1	50	9200	Screw for 34284	1
13	3635	Screw for 32866	1	51	1457	Screw for 34291	1
14	34134	Feed Bar Guide (Rear)	1	52	34291	Presser Arm Shaft Collar	1
15	722	Cotter for 32864, 34138	2	53	34287	Presser Arm Shaft Bushing	2
16	32864	Main Feed Bar Driving Stud	1	54	9200	Screw for 34287	1
17	34135	Feed Bar Guide (Right)	1	55	34290	Presser Arm Hinge Pin	1
18	9200	Screw for 34135	1	56	4404	Screws for 32706	1
19	34138	Differential Feed Bar Driving Stud	1	57	32706	Chain Cutting Knife	1
20	34142	Feed Lift Block Roller Bearing	1	58	1230	Screw for 34078	1
21	34139	Feed Lift Block	1	59	34292	Presser Foot Stay	1
22	32873	Chaining Feed Dog Holder (Use Plain Feed Dog)	1	60	32746	Presser Foot Chain Shield	1
22-1	32878	Main Feed Dog	1	61	5036	Screw for 32743 (32744)	1
23	32883	Chaining Feed Dog	1	62	30619	Presser Foot Hinge Spring	1
24	9730	Screw for 32883	1	64	32736	Presser Foot	1
25	7609	Screw for 32873 (32878)	1	65	34079	Presser Foot Complete Set = 1	1
26	32871	Plain Feed Dog	1	65-1	34086	Presser Foot Complete Set = 2, = 3	1
26-1	32880	Differential Feed Dog (See Table 7-1, 7-2)	1	66	32743	Presser Foot Stitch Tongue = 2, = 3	1
26-2	32877	Differential Feed Dog (See Table 7-1, 7-2)	1	67	34137	Differential Feed Bar Driving Connection Bushing	1
27	4353	Screw for 32871 (32877, 32880) 34020, 34077	3	68	34020	Feed Bar Front Oil Shield	3
28	4440	Screws for 34136	2	69	34284	Foot Lifter Lever Shaft Bushing	2
29	34136	Feed Bar Guide (Left)	1	70	34282	Foot Lifter Lever Shaft	1
30	34059	Throat Plate Stay	1	71	34278	Presser Arm Shaft	1
31	5000	Screw for 34059	2	72	34285	Intermediate Lever (Small)	2
32	6000	Screw for 32711	1	73	34279	Presser Arm	1
33	32711	Foot Lifter Lever	1	74	34293	Presser Arm Hinge Pin Retaining Ring	1
34	9127	Screws for 32716	2				2
35	5505	Adjust Screws for 32711	2				2
36	44	Nut for 32711	2				2
37	32729	Intermediate Lever Spring	1				1
38	32715	Cotter Pin	2				2

7-1

Stamp No.	Stitch Per Inch(standard)	Part No.
W 4	4	34165
W 5	5	34145
W 6	6	34146
W 7	7	34147
W 8	8	34148
W 9	9	34149
W 10	10	34150
W 11	11	34151
W 12	12	34152
W 13	13	34153
W 14	14	34154
W 15	15	34155
W 16	16	34156
W 17	17	34157
W 18	18	34158
W 19	19	34159
W 20	20	34160
W 22	22	34161
W 24	24	34162
W 26	26	34163
W 28	28	34164
W 30	30	34166
W 40	40	34167
W 50	50	34168
W 70	70	34170
W 100	100	34169

- (1) This table Shows our standards. The number of needle (per inch) may change according to kinds of fabrics and amount of differential ratio.
- (2) The eccentric for DCZ-400. -401. -403. -420. -420W and -421 are standardized to W6~W20.
- (3) These small eccentrics such as W100 are provided for the use of special purposes.

Relation Between Feed (Differential) Dog & Feed Eccentric Cam

A Feed eccentric cam for Feed (front) dog

B Feed eccentric cam for Feed (back) dog

A B	W5	W6	W7	W8	W9	W10	W11	W12	W13	W14	W15	W16	W17	W18	W19	W20
W5	✓	✓	✓	✓	✓	✓	✓	✓	✓	✓	✓	✓	✓	✓	✓	✓
W6	✓	✓	✓	✓	✓	✓	✓	✓	✓	✓	✓	✓	✓	✓	✓	✓
W7	✓	✓	✓	✓	✓	✓	✓	✓	✓	✓	✓	✓	✓	✓	✓	✓
W8	✓	✓	✓	✓	✓	✓	✓	✓	✓	✓	✓	✓	✓	✓	✓	✓
W9	✓	✓	✓	✓	✓	✓	✓	✓	✓	✓	✓	✓	✓	✓	✓	✓
W10	✓	✓	✓	✓	✓	✓	✓	✓	✓	✓	✓	✓	✓	✓	✓	✓
W11	✓	✓	✓	✓	✓	✓	✓	✓	✓	✓	✓	✓	✓	✓	✓	✓
W12	✓	✓	✓	✓	✓	✓	✓	✓	✓	✓	✓	✓	✓	✓	✓	✓
W13	✓	✓	✓	✓	✓	✓	✓	✓	✓	✓	✓	✓	✓	✓	✓	✓
W14	✓	✓	✓	✓	✓	✓	✓	✓	✓	✓	✓	✓	✓	✓	✓	✓
W15	✓	✓	✓	✓	✓	✓	✓	✓	✓	✓	✓	✓	✓	✓	✓	✓
W16	✓	✓	✓	✓	✓	✓	✓	✓	✓	✓	✓	✓	✓	✓	✓	✓
W17	✓	✓	✓	✓	✓	✓	✓	✓	✓	✓	✓	✓	✓	✓	✓	✓
W18	✓	✓	✓	✓	✓	✓	✓	✓	✓	✓	✓	✓	✓	✓	✓	✓
W19	✓	✓	✓	✓	✓	✓	✓	✓	✓	✓	✓	✓	✓	✓	✓	✓
W20	✓	✓	✓	✓	✓	✓	✓	✓	✓	✓	✓	✓	✓	✓	✓	✓

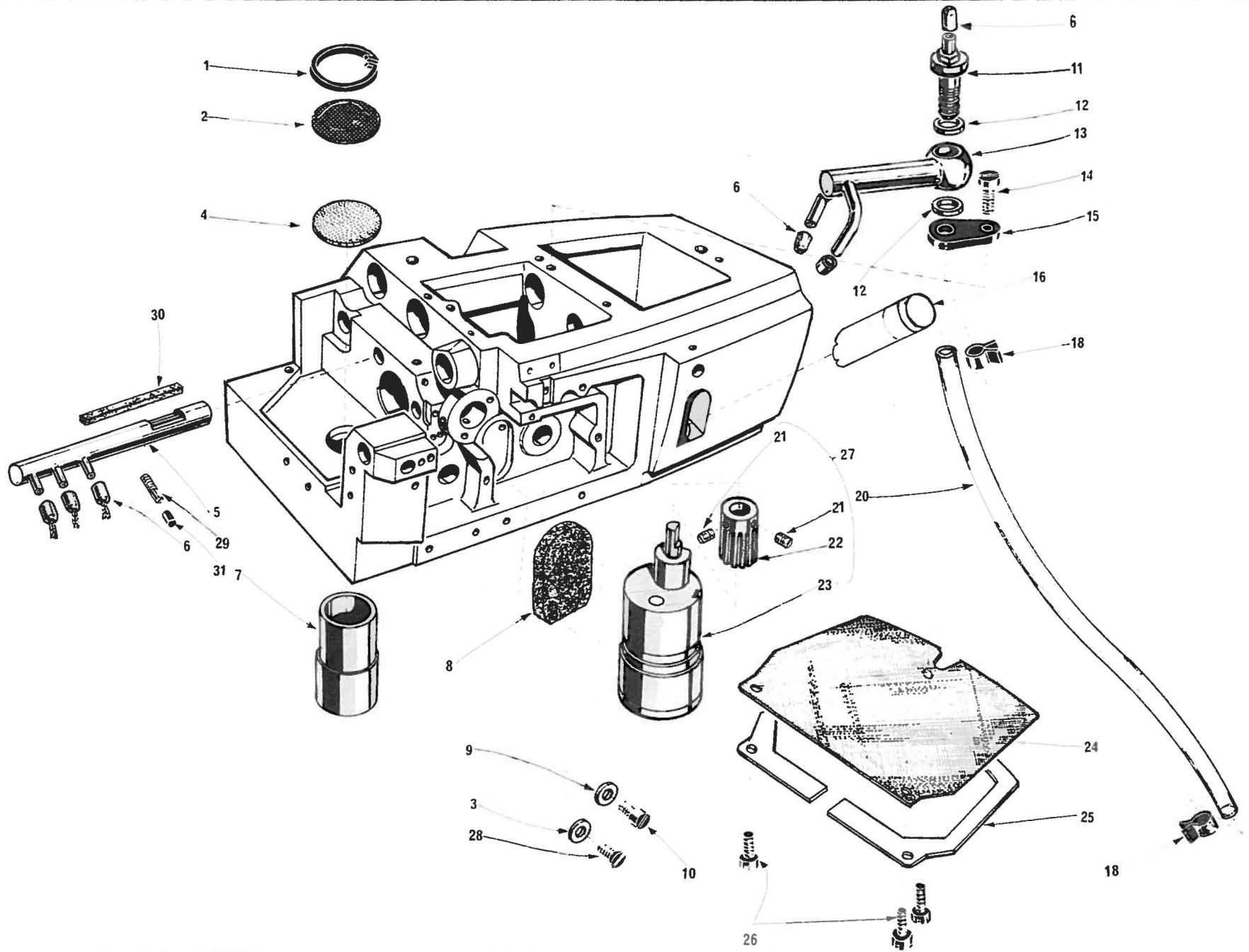
indicates that these cams are to be used for a combination of front feed dog 32877 (or 32881) and back feed dog 32878 (or 32882).

indicates that these cams are to be used for combination of front feed dog 32885 and back feed dog 32886.

indicates that these cams may be used for combination of front feed dog 32880 (or 32884) and back feed dog 32878 (or 32882).

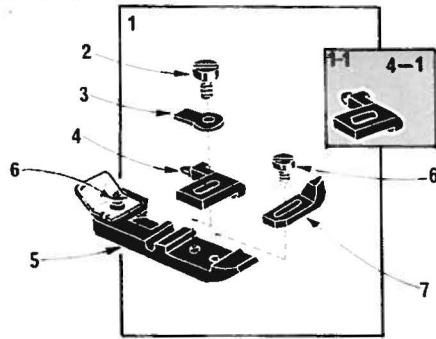
indicates that these cams may be used for all combinations of feed dogs described in (2), (3) and (4).

Above schedule shows the relation between feed eccentric cams and combinations of feed dogs for DCZ-400 series. In selecting feed cams, care must be taken so that they may be appropriate for a given combination of feed dogs with which the machine is equipped.

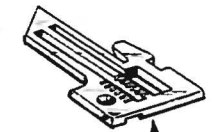
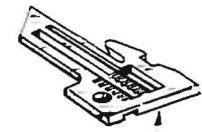
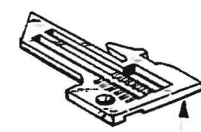
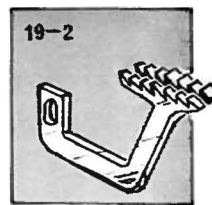
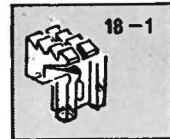
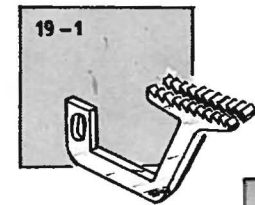
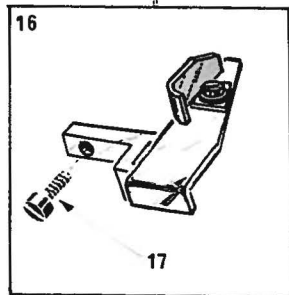
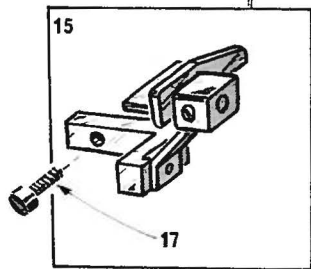
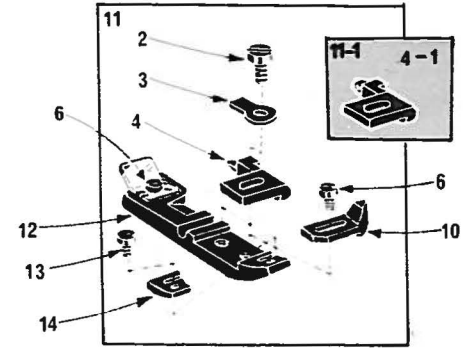
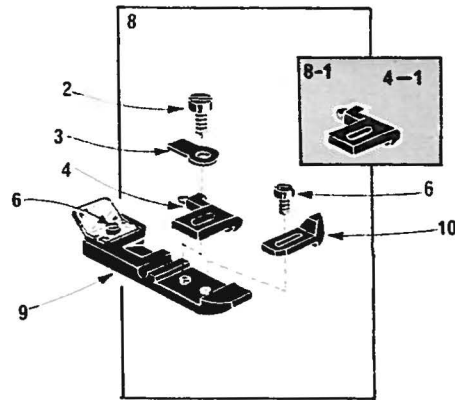


<u>Ref. No.</u>	<u>Parts No.</u>	<u>Description</u>	<u>Amt. Req.</u>	<u>Ref. No.</u>	<u>Parts No.</u>	<u>Description</u>
1	32898	Round Oil Filter Screen Clamp (Upper)	1	30	304	Oil Wick for 34143
2	32933	Round Oil Filter Screen (Rough Mesh)	1	31	38221	Plug for 3432
3	530	Washer for 9142	1			
4	90951	Round Oil Filter Screen (Fine Mesh)	1			
5	34143	Feed Bar Driving Connection Oil Nozzle	1			
6	37697	Oil Nozzle Cap	6			
7	34207	Round Oil Filter Holder Pipe	1			
8	34110	Upper Looper Bar Oiling Felt	1			
9	550	Washer for 34110	1			
10	4353	Screws for 34110	1			
11	34202	Oil Sight Top Nozzle	1			
12	570	Oil Seals for 34204	2			
13	34204	Top Oiler	1			
14	4440	Screw for 34203	1			
15	34203	Top Oiler Bracket	1			
16	32417	Oil Sight Gauge	1			
18	32944	Oil Tube Clamp	2			
20	34200	Oil Tube	1			
21	1459	Screws for 30711	2			
22	30711	Oil Pump Driving Worm Gear	1			
23	32926	Oil Pump	1			
24	34206	Under Pump Oil Filter Screen	1			
25	34208	Under Pump Oil Filter Screen Clamp	1			
26	1175	Screws for 34208	3			
27	32929	Oil Pump Complete Set	1			
28	9142	Screw for 34110	1			
29	2432	Screw for 34143	1			

DCZ-401

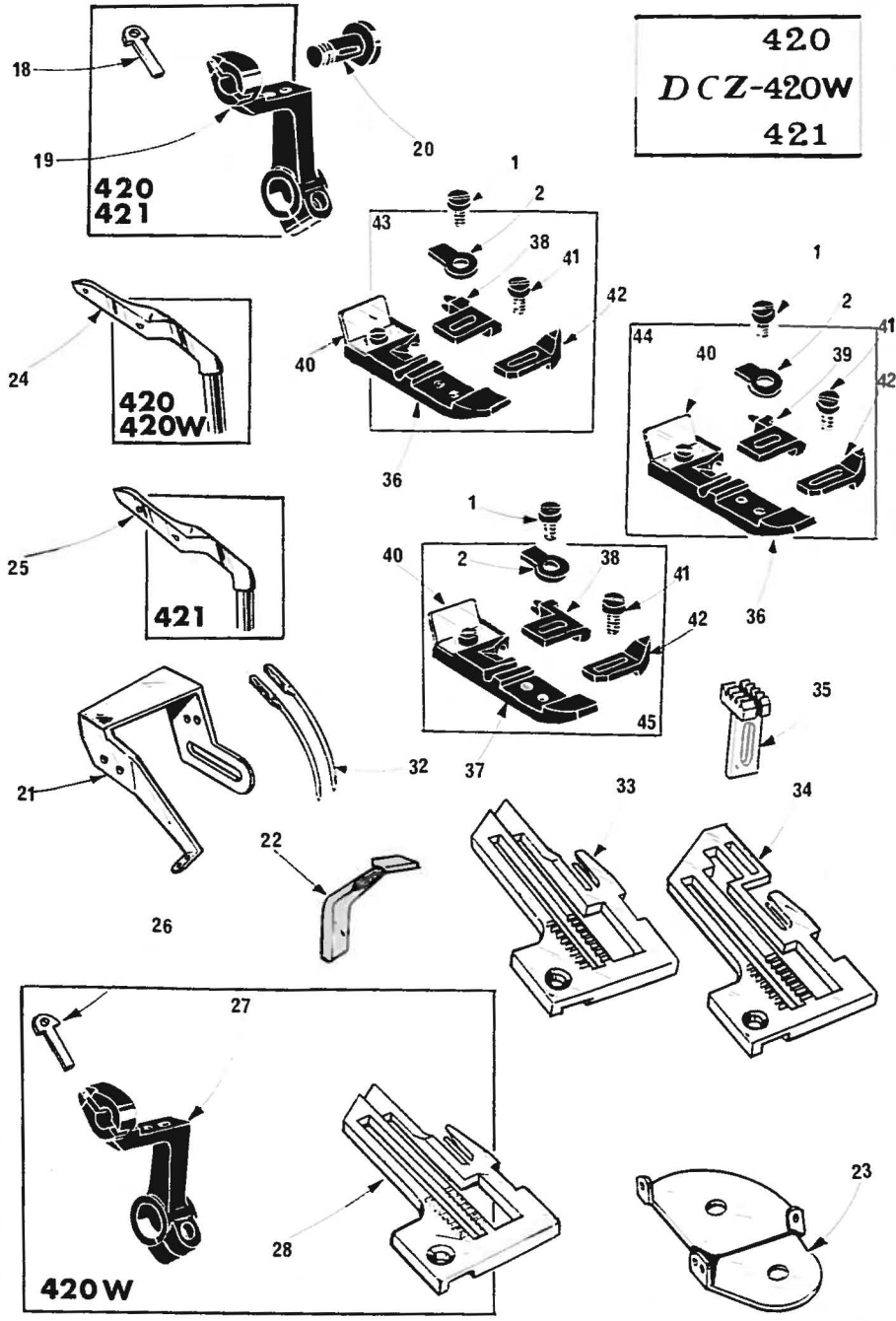
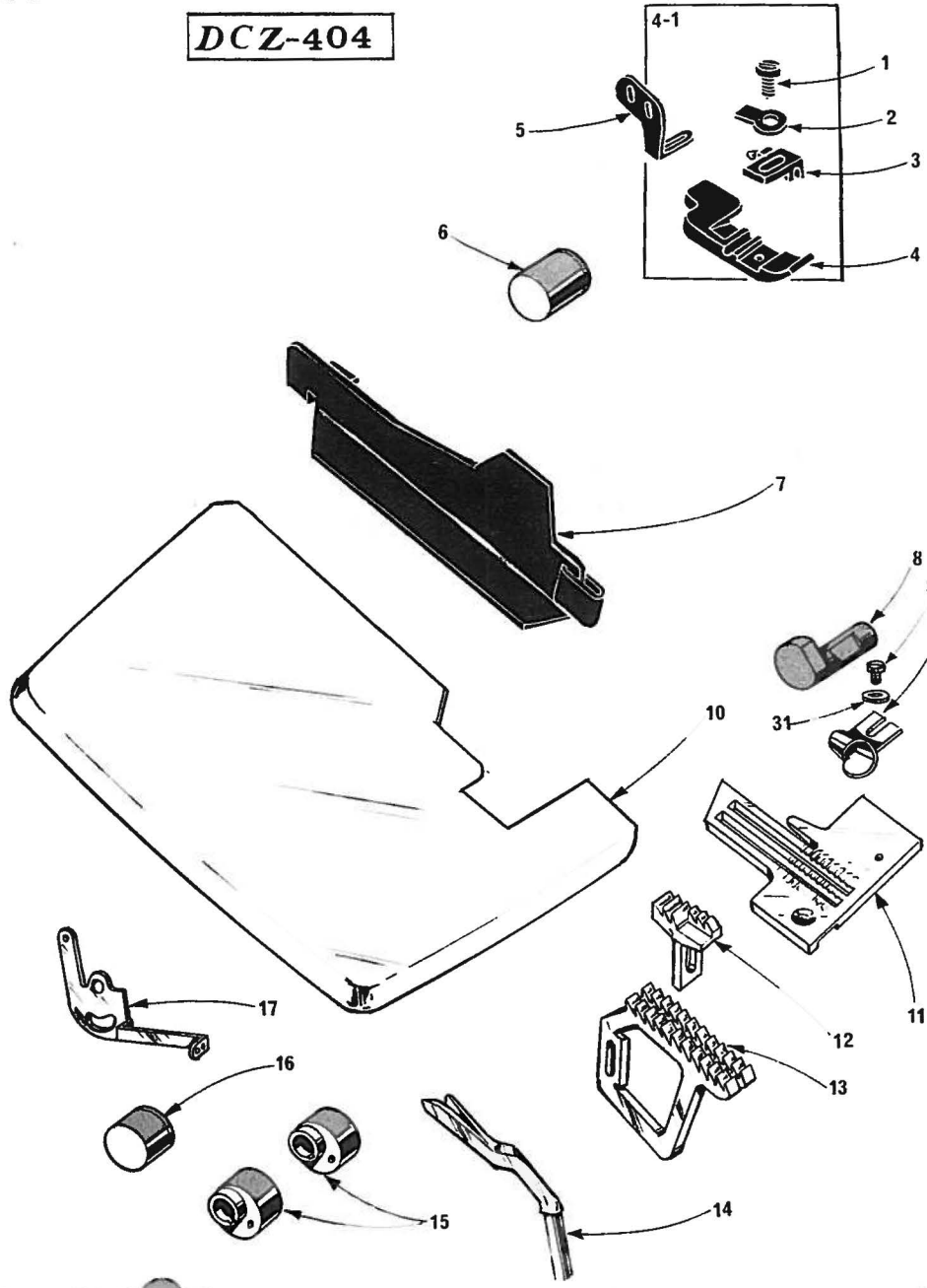


DCZ403

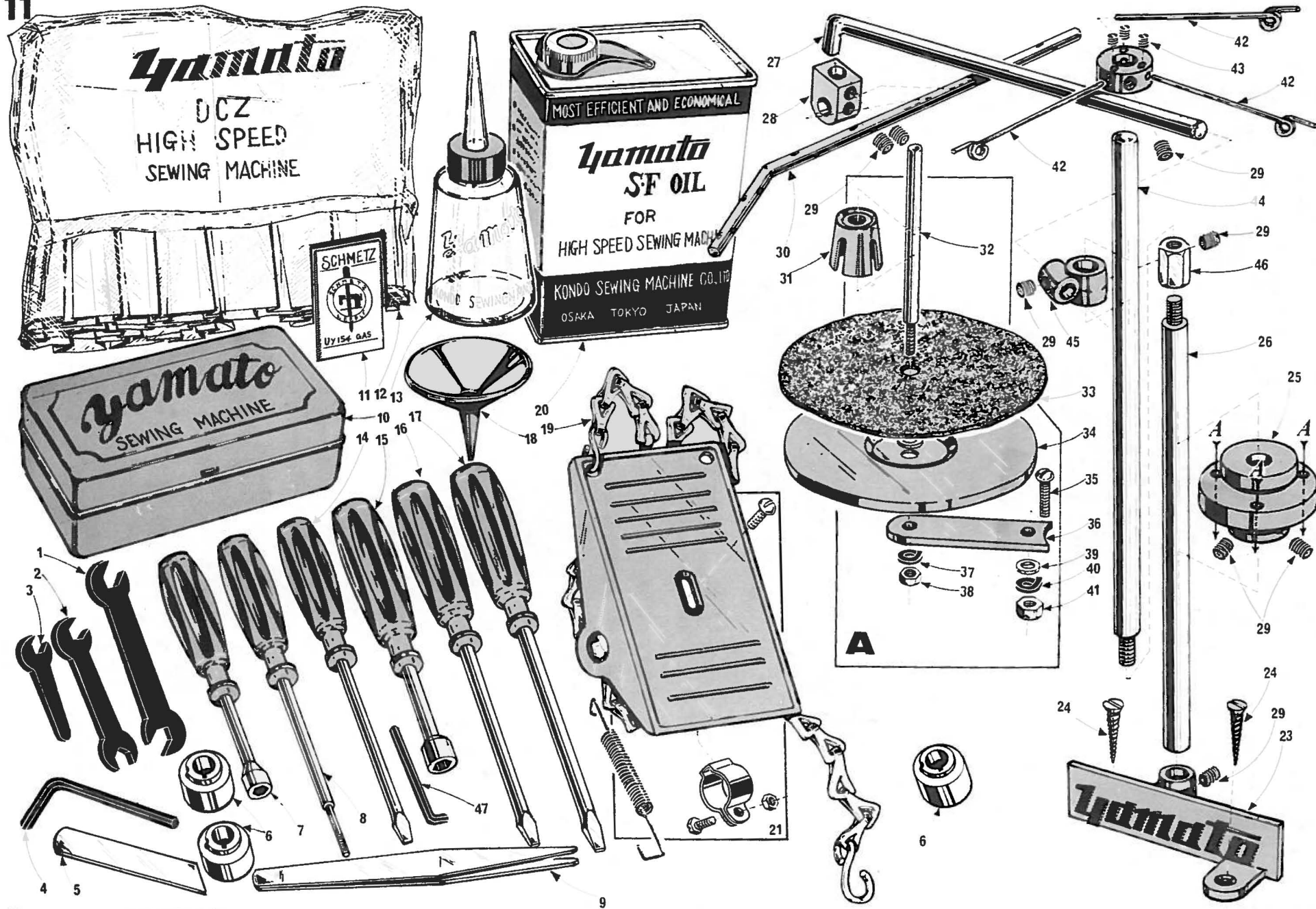


9							
Ref. No.	Parts No.	Description	Amt. Req.	Ref. No.	Parts No.	Description	Amt. Req.
1	34081	Presser Foot Complete Set #1	1	21	32672	Throat Plate #2	1
1-1	34082	Presser Foot Complete Set #2 #3	1	22	32673	Throat Plate #3	1
2	5036	Screw for 32743 (32744)	1				
3	30619	Presser Foot Hinge Spring	1				
4	32744	Presser Foot Stitch Tongue #1	1				
4-1	32743	Presser Foot Stitch Tongue #2 #3	1				
5	32740	Presser Foot	1				
6	1228	Screw for 32545	2				
7	32745	Presser Foot Chip Guard	1				
8	34083	Presser Foot Complete Set #1	1				
8-1	34084	Presser Foot Complete Set #2 #3	1				
9	32708	Presser Foot	1				
10	32710	Presser Foot Chip Guard	1				
11	34085	Presser Foot Complete Set for Attaching Tape #1	1				
11-1	34086	Presser Foot Complete Set for Attaching Tape #2 #3	1				
12	32875	Presser Foot for Attaching Tape	1				
13	1228	Screw for 32876	1				
14	32876	Presser Foot Tape Guide for Attaching Tape	1				
15	37948	Edge Guide Complete Set (Large)	1				
16	37962	Edge Guide Complete Set (Small)	1				
17	1175	Screw for 37948 (37962)	1				
18	32882	Main Feed Dog	1				
18-1	32886	Main Feed Dog (Large Teeth)	1				
19	32884	Differential Feed Dog (See Table 7-1, 7-2)	1				
19-1	32881	Differential Feed Dog (See Table 7-1, 7-2)	1				
19-2	32885	Differential Feed Dog (Large Teeth)	1				
20	32671	Throat Plate #1	1				

DCZ-404



Ref. No.	Parts No.	Description	Amt. Req.	Ref. No.	Parts No.	Description	Amt. Req.
1	5036	Screw for 32992	1	27	34250	Needle Driving Arm (DCZ-420W)	1
2	30619	Presser Spring	1	28	32678	Throat Plate (DCZ-420W)	1
3	32992	Presser Foot Stitch Tongue	1	29	32761	Presser Foot Stitch Tongue (DCZ-420W)	1
4	32991	Presser Foot	1	30	1330	Screw for 33387	1
4-1	34236	Presser Foot Complets Set	1	31	541	Washer for 1330	1
5	34292	Presser Foot Stay	1	32	—	Needle (Uy 154 GCS)	2
6	34235	Upper Knife Driving Arm Seal Plug (Left)	1	33	32677	Throat Plate (DCZ-420)	1
7	34238	Fabric Guard	1	34	32340	Throat Plate (DCZ-421)	1
8	34234	Feed Bar Guide (Right)	1	35	32341	Chaining Feed Dog (DCZ-421)	1
9	33387	Chain Shield	1	36	32708	Presser Foot (DCZ-420, 420W)	1
10	34239	Cloth Plate (Upper)	1	37	32342	Presser Foot (DCZ-421)	1
11	32981	Throat Plate	1	38	32749	Presser Foot Stitch Tongue (DCZ-420, 421)	1
12	32989	Chaining Feed Dog	1	39	32761	Presser Foot Stitch Tongue (DCZ-420W)	1
13	32988	Plain Feed Dog	1	40	32746	Presser Foot Chain Shield	1
14	34120	Spreder for Two Thread Seaming	1	41	1228	Screw for 32745	1
15	34165	Feed Driving Eccentric	2	42	32745	Presser Foot Chip Guard	1
16	32986	Lower Knife Driving Arm Seal Plug (Left)	1	43	34248	Presser Foot Complets Set (DCZ-420)	1
17	34237	Looper Thread Pull-Off (Left)	1	44	34252	Presser Foot Complets Set (DCZ-420W)	1
18	34242	Needle Positioning Plate (DCZ-420, 421)	1	45	34254	Presser Foot Complets Set (DCZ-421)	1
19	34240	Needle Driving Arm (DCZ-420, 421)	1				
20	34241	Needle Clomp Stud (DCZ-420, 420W, 421)	1				
21	34243	Needle Thread Eyelet (DCZ-420, 420W, 421)	1				
22	34246	Needle Guard (DCZ-420, 420W, 421)	1				
23	34244	Needle Thread Tension Disc Eyelet	1				
24	34245	Upper Looper (DCZ-420, 420W)	1				
25	34260	Upper Looper (DCZ-421)	1				
26	34251	Needle Positioning Plate (DCZ-420W)	1				



Ref. No.	Parts No.	Description	Amt. Req.	Ref. No.	Parts No.	Description	Amt. Req.
1	37945	Wrench (Large)	1	28	30037		8
2	37915	Wrench (Medium)	1	29	30002		8
3	37944	Wrench (Small)	1	30	30039		3
4	37916	Hexagon Wrench Key	1	31	30031		3
5	30421	Lower Knife	1	32	30034		3
6	—	Feed Driving Eccentric	3	33	30065		3
7	37918	Socket Wrench	1	34	30033		3
8	37947	Feed Driving Eccentric Extractor	1	35	30025		3
9	37909	Thread Tweezers	1	36	30032		3
10	37913	Attachment Box	1	37	30036		3
11	—	Needles Uy 154 GAS	10	38	30018		3
12	37939	Machine Cover	1	39	30026		3
13	37932	Oiler	1	40	30027		3
14	37903	Screw Driver (Small)	1	41	30028		3
15	37946	Socket Wrench	1	42	30030		3
16	37902	Screw Driver (Medium)	1	43	30000		3
17	37901	Screw Driver (Large)	1	44	30022		3
18	37943	Funnel	1	45	30023		1
19	37912	Chain	1	46	30045		1
20	—	Oil	1	47	37921	Hexagon Wrench Ky	1
21	37911	Pedal Complete Set	1				
22	32550	Thread Stand 3 Spool Type Complete Set	1				
23	30013		1				
24	30012		2				
25	30029		1				
26	30024		1				
27	30038		1				

INDEX

Parts No.	Plate No.	Parts No.	Plate No.	Parts No.	Plate No.	Parts No.	Plate No.	Parts No.	Plate No.	Parts No.	Plate No.
10	3	3311	6	6004	3	30027	11	32571	9	32864	7
20	7	3404	6	6007	6	30028	11	32672	9	32866	7
44	1.7	3432	8	6040	1	30029	11	32673	9	32867	7
282	6	3433	2.4	6259	1	30030	11	32677	10	32871	7
286	2	3434	1	6403	2	30031	11	32678	10	32873	7
304	6.8	3632	7	6404	2	30032	11	32682	5	32875	9
316	1	3635	3.6.7	6405	2	30033	11	32684	4	32876	9
331	8	4353	2.3.7.8.	6542	2	30034	11	32706	7	32877	7
340	5.6	4356	2	6661	5	30036	11	32708	9.10	32878	7
355	5	4358	1.2.5.6	7302	6	30037	11	32710	9	32880	7
451	7	4402	4	7311	5	30038	11	32711	7	32881	9
520	5.6	4404	7	7605	1.5	30039	11	32713	7	32882	9
525	2	4431	6	7609	3.7	30045	11	32714	7	32883	7
527	4	4437	5	7616	5	30065	11	32715	7	32884	9
530	8	4440	1.5.7.8	7650	4.5.6	30126	1	32716	7	32885	9
532	3	4441	4	8163	5	30228	5.6	32719	7	32886	9
541	10	4591	5	9106	3	30232	5	32729	7	32898	8
550	8	5000	7	9127	7	30254	2	32736	7	32899	5
570	1.8	5002	2	9142	6.8	30291	4	32740	9	32902	5
605	7	5003	2	9150	1.3	30421	5.11	32743	7.9	32911	5
606	6	5004	6	9200	2.7	30619	7.9.10	32744	9	32912	5
690	7	5006	4	9202	4	30711	8	32745	9.10	32913	5
698	5	5036	7.9.10	9209	4	32340	10	32746	7.10	32914	5
722	7	5043	5	9517	5	32341	10	32749	10	32916	5
723	5	5069	2	9604	5.6	32342	10	32761	10	32917	5
726	1.2	5070	5.6	9730	7	32417	8	32775	4	32919	5
727	1	5074	5	9852	1	32421	1	32777	4	32920	5
977	1	5076	1	9853	3	32550	11	32778	4	32924	2
1174	2	5083	1	9909	3	32519	2	32779	4	32925	4
1175	2.8.9	5095	1	01111	2	32586	1	32786	6	32926	8
1222	1	5131	1	30000	11	32604	1.5	32789	6	32929	8
1228	3.9.10	5133	8	30002	11	32608	1	32790	6	32930	2
1230	7	5401	5	30012	11	32609	1	32792	6	32932	8
1326	1.3.6	5500	5.6	30013	11	32610	1	32799	6	32933	8
1330	1.3.10	5505	7	30018	11	32611	1	32817	4	32952	2
1333	2	5508	5	30022	11	32612	1	32818	4	32955	3
1435	4	5521	5	30023	11	32626	3	32819	5.6	32958	3
1457	4.7	5522	5	30024	11	32646	5	32848	6	32960	3
1459	7.8	5550	5.6.7	30025	11	32666	5	32849	6	32962	2
2237	6	6000	7	30026	11	32667	5	32853	7	32965	2

INDEX

Parte No.	Plate No.	Parts No.	Plate No.	Parts No.	Plate No.	Parts No.	Plate No.	Parts No.	Plate No.
32971	2	34057	5	34131	7	34238	10	37902	11
32976	1	34058	5	34132	7	34239	10	37903	11
32981	10	34059	7	34133	7	34240	10	37909	11
32986	10	34060	5	34134	7	34241	10	37911	11
32988	10	34079	7	34135	7	34242	10	37912	11
32989	10	34081	9	34136	7	34243	10	37913	11
32991	10	34082	9	34137	7	34244	10	37915	11
32992	10	34083	9	34138	7	34245	10	37916	11
32999	1	34084	9	34139	7	34246	10	37918	11
33070	4	34085	9	34141	7	34248	10	37921	11
33077	4	34086	7, 9	34142	7	35250	10	37932	11
33142	2	34090	4	34143	8	34251	10	37939	11
33387	10	34091	4	34165	10	34252	10	37943	11
34000	3	34092	4	34190	5	34254	10	37944	11
34002	2	34094	4	34191	5	34260	10	37945	11
34003	1	34096	4	34192	4	34278	7	37946	11
34005	1	34097	6	34193	4	34280	2	37947	11
34007	1	34098	4	34194	5	34281	2	37948	9
34008	1	34099	6	34200	8	34282	7	37952	2
34011	1	34100	6	34202	8	34283	7	37962	9
34012	1	34101	6	34203	8	34284	7	38221	2, 4
34013	1, 2	34102	6	34204	8	34285	7	85964	11
34015	2	34103	6	34205	3	34286	2	90951	8
34016	2	34104	6	34206	8	34287	7		
34017	3	34105	6	34207	8	34288	2		
34018	1	34106	6	34208	8	34289	2, 7		
34019	3	34107	6	34209	3	34290	7		
34020	7	34108	4	34220	2	34291	7		
34021	1	34109	6	34221	2	34292	7		
34025	5	34110	8	34222	2	34293	7		
34026	3	34111	6	34223	5	34294	2		
34045	3	34113	6	34225	3	34295	2		
34040	2	34114	4	34226	6	34296	2		
34050	5	34115	4	34228	6	34297	1		
34051	5	34116	4	34229	3	34298	1		
34052	5	34117	4	34230	6	34299	3		
34053	5	34118	6	34234	10	37635	2		
34054	4	34119	4	34235	10	37675	8		
34055	5	34120	6, 10	34236	10	37697	8		
34056	5	34130	7	34237	10	37901	11		